

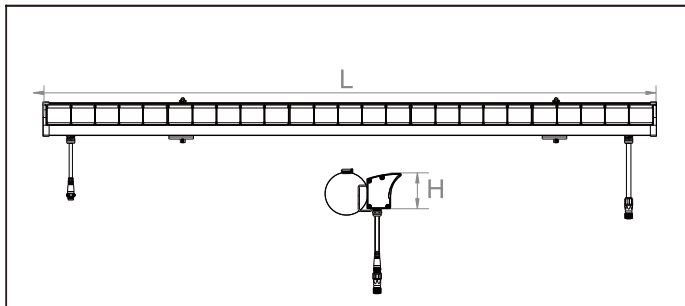


Features

Housing: Pure Aluminum
 Thermal Conductivity: 226 W/m·K
 Led: Philips
 CRI: Ra>70
 SDCM: <6
 Power Factor: >0.95
 THD: <15
 Driver: Osram
 Driver Efficiency: >93%
 Protection: OTP, OCP, OVP, SCP
 Waterproof: IP65
 Impact Test: IK08
 Electrical: 220-240V, 50/60Hz
 Operating Temperature: -40~50°C
 TM21: L90B10>50,000H
 Lifetime: 50,000H



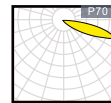
Europe Version



Functions

ZigBee · PWM · DALI · 0/1~10V

Optical options:



Model	Watt	Voltage	Effi (lm/w)	CRI	Power factor	IP	IK	Size L*W*H(mm)
TC030TE5J-PO	30W	220~240V	150lm/w	>70	>0.95	IP65	IK08	1511*117*83
TC043TE5J-PO	43W	220~240V	150lm/w	>70	>0.95	IP65	IK08	1511*117*83
TC060TE5J-PO	60W	220~240V	150lm/w	>70	>0.95	IP65	IK08	1511*117*83
TC080TE5J-PO	80W	220~240V	150lm/w	>70	>0.95	IP65	IK08	1511*117*83

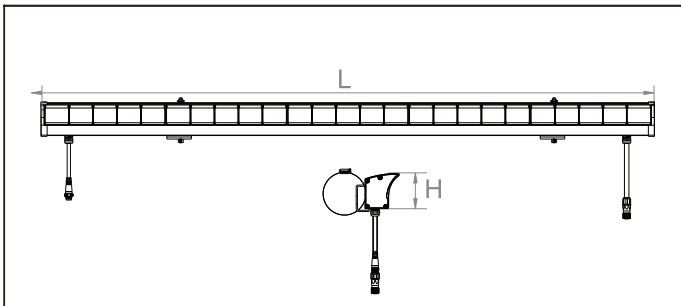


Features

Housing: Pure Aluminum
 Thermal Conductivity: 226 W/m·K
 Led: Philips
 CRI: Ra>70
 SDCM: <6
 Power Factor: >0.95
 THD: <15
 Driver: Lifud
 Driver Efficiency: >93%
 Protection: OTP, OCP, OVP, SCP
 Waterproof: IP65
 Impact Test: IK08
 Electrical: 100-277V, 50/60Hz
 Operating Temperature: -40~50°C
 TM21: L90B10>50,000H
 Lifetime: 50,000H



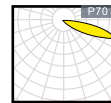
USA Version



Functions

ZigBee · PWM · DALI · 0/1~10V

Optical options:



Model	Watt	Voltage	Effi (lm/w)	CRI	Power factor	IP	IK	Size L*W*H(mm)
TC030TU5J-PL	30W	100~277V	150lm/w	>70	>0.95	IP65	IK08	1511*117*83
TC043TU5J-PL	43W	100~277V	150lm/w	>70	>0.95	IP65	IK08	1511*117*83
TC060TU5J-PL	60W	100~277V	150lm/w	>70	>0.95	IP65	IK08	1511*117*83
TC080TU5J-PL	80W	100~277V	150lm/w	>70	>0.95	IP65	IK08	1511*117*83